



08-02-19 REV.01



LeoVince Europe
leovince.com
info@leovince.com



LeoVince USA
leovince.com
infousa@leovince.com
+1-844-536-7625



INFORMAZIONI TECNICHE
TECHNICAL INFORMATION
INFORMATIONS TECHNIQUES
TECHNISCHE INFORMATIONEN
INFORMACIONES TECNICAS

ART. 80000
CAT ELIMINATOR

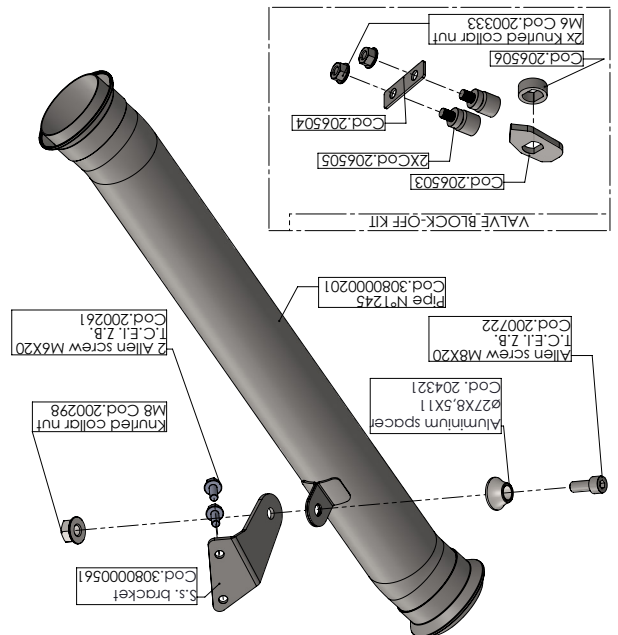
KTM 1290 SUPER DUKE R
TYPE: KTM B1

- Fitting the cat eliminator it is advisable to optimize the carburation by remapping the stock ECU or by adopting an additional ECU unit.

WARNING

- Disconnect the control cables from the exhaust valve on the actuator side; also the valve connected to the link pipe and the cables are removed.
by removing the original link pipe with the catalytic converter.

Collettore INOX / Stainless steel header pipe
per l'eliminazione del catalizzatore originale / kat eliminator link pipe
ART. 80000 KTM 1290 SUPERDUKE R



(A) FITTING KIT Cod. 3080000601R,
(B) FITTING KIT Cod. 3080000561R

KTM 1290 SUPERDUKE R

ART. 80000 SPARE PARTS

